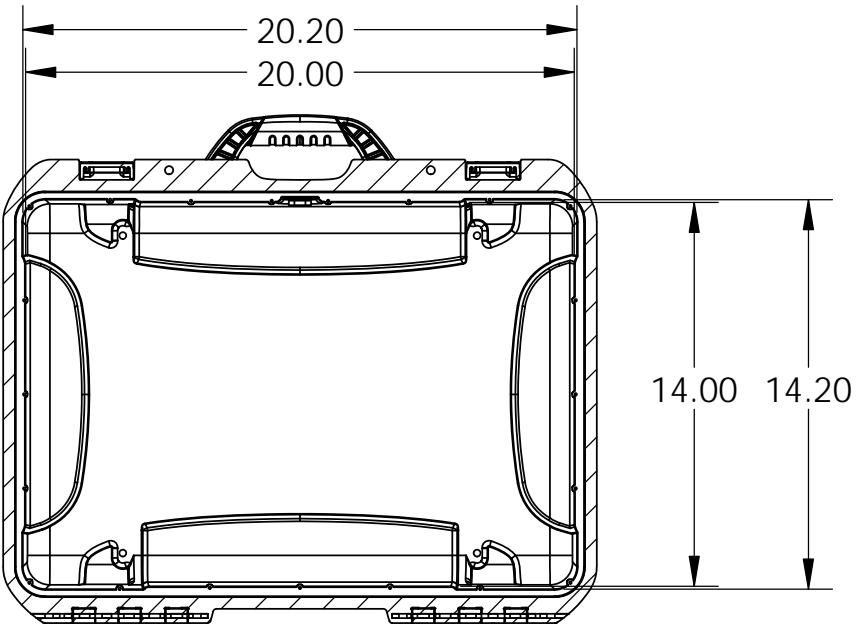
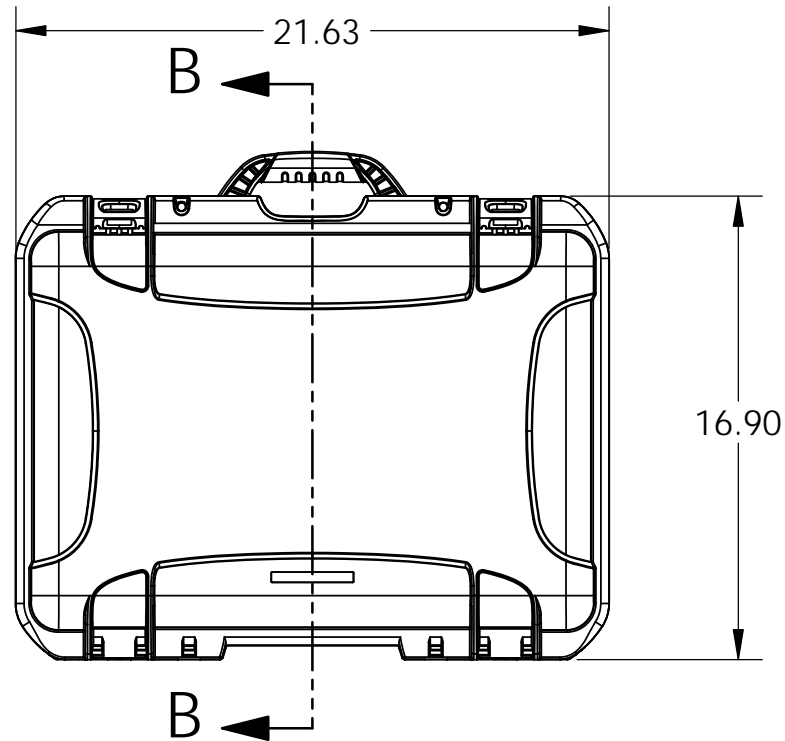
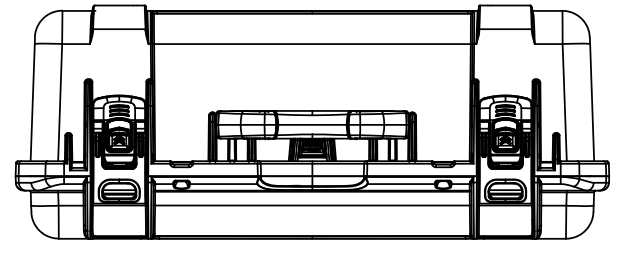
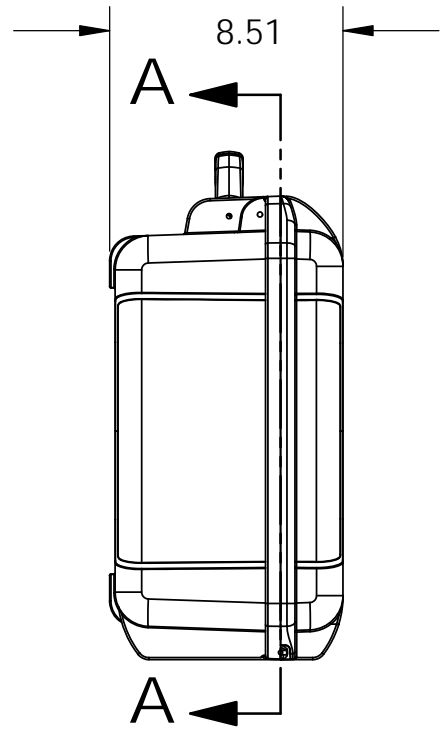
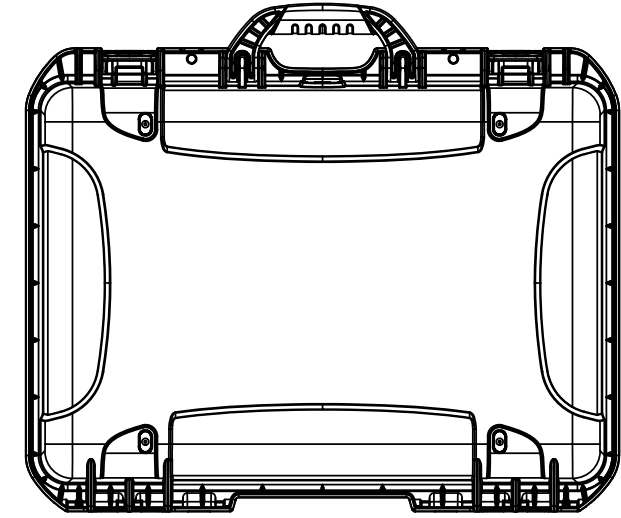


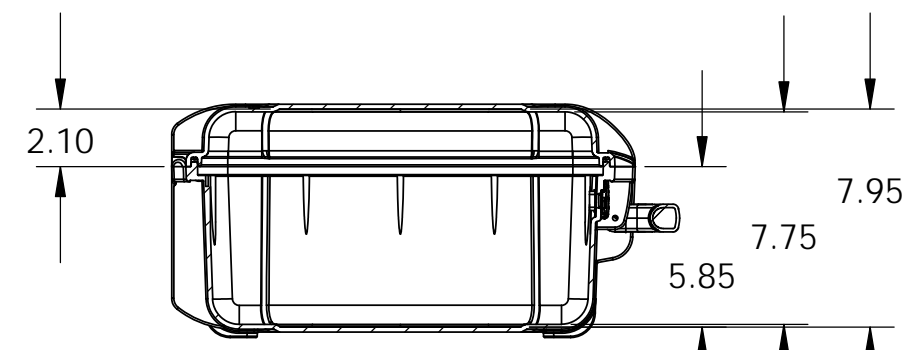
THE INFORMATION CONTAINED IN THIS DRAWING IS THE SOLE PROPERTY OF PLASTICASE ANY REPRODUCTION IN PART OR WHOLE WITHOUT THE WRITTEN PERMISSION OF PLASTICASE IS PROHIBITED.



REVISIONS			
REV.	DESCRIPTION	DATE	APPROVED



SECTION A-A



SECTION B-B

NANUK 940 Specifications	
Case Weight Empty	8.4lbs / 3.8kg
Interior Length	20.00" / 508mm
Interior Width	14.00" / 356mm
Interior Height	7.95" / 202mm
Interior Lid Depth	2.10" / 53mm
Interior Base Depth	5.85" / 149mm
Exterior Length	21.63" / 549mm
Exterior Width	16.90" / 429mm
Exterior Height	8.51" / 216mm
Master Pack Qty.	2
Master Pack Wt.	21.46lbs / 9.73kg
Max Buoyancy	80lbs / 36.29kg

PARTS LIST			
UNLESS OTHERWISE SPECIFIED DIMENSIONS ARE IN INCHES	CAD GENERATED DRAWING, DO NOT MANUALLY UPDATE		PLASTICASE
	APPROVALS	DATE	
	DRAWN B.C.	6/30/2011	
	CHECKED		
MATERIAL	RESP ENG		NANUK 940
FINISH --	MFG ENG		
DO NOT SCALE DRAWING	QUAL ENG		
SIZE B	DWG. NO.	REV.	
SCALE 1:7	CAD FILE: 940_ASSEMBLY	SHEET 1 OF 1	