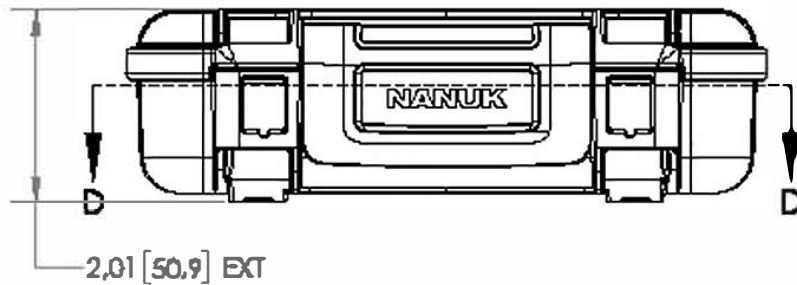
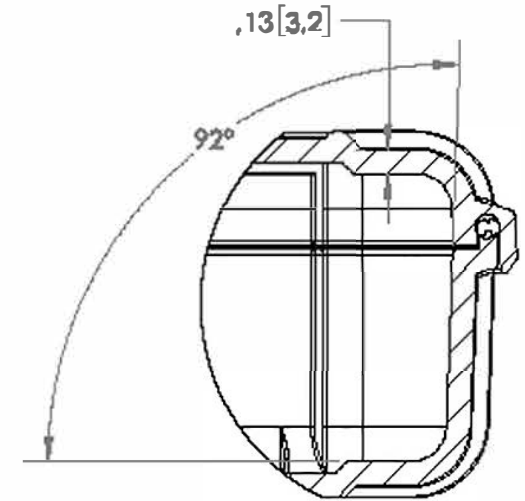
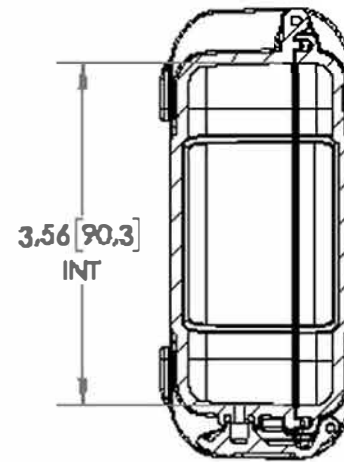
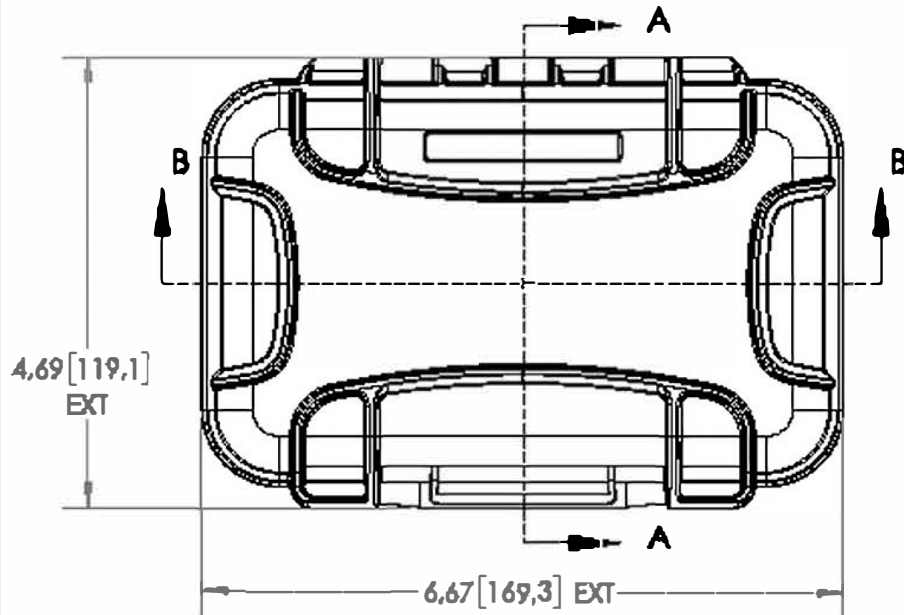


INSTRUMENTS  
**TECHNO  
TEST**



UNLESS OTHERWISE SPECIFIED:  
DIMENSIONS ARE IN INCHES (MM)  
TOLERANCES:

XX ± 0.1  
XXX ± 0.02  
XXXX ± 0.005  
FRACTIONAL ± 1/16  
ANGULAR:  
X ± 1°  
XX ± 0.6°

PRICE, TOLERANCE AND CO. INFORMATION  
THE INFORMATION CONTAINED IN THIS  
DRAWING IS THE SOLE PROPERTY OF  
PLASTICASE INC. ANY REPRODUCTION IN  
PART OR AS A WHOLE WITHOUT THE  
WRITTEN PERMISSION OF PLASTICASE INC.  
IS PROHIBITED.

	NAME	DATE
DRAWN BY	DB	2022-04-04
APPR. BY		
QC BY		
MATERIAL	ABS	
FINISH		
WEIGHT (g)	150	
DO NOT SCALE DRAWING		

<h1>NANUK™</h1> <p>PROFESSIONAL PROTECTIVE CASES</p>	
<b>TITLE:</b> NANUK-225	
<b>DWG. NO.</b> XXX - XXXX	<b>REV</b> 0
<b>SIZE</b> A	<b>SCALE</b> 1:2
<b>SHEET</b> 1 OF 1	

YOUR SIGNATURE IS REQUIRED FOR APPROVAL BEFORE ANY RELEASE OF PRODUCTION DRAWING

SIGNATURE

DATE