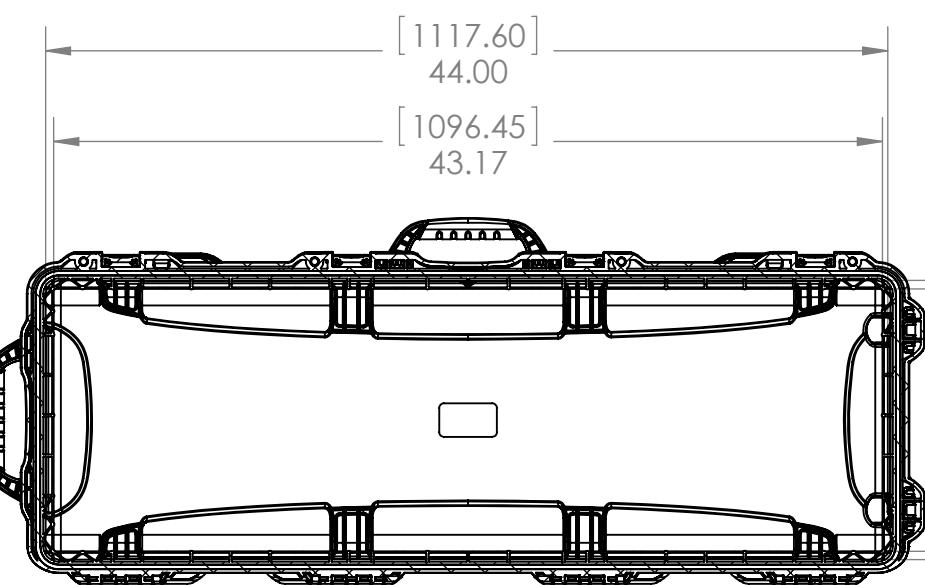
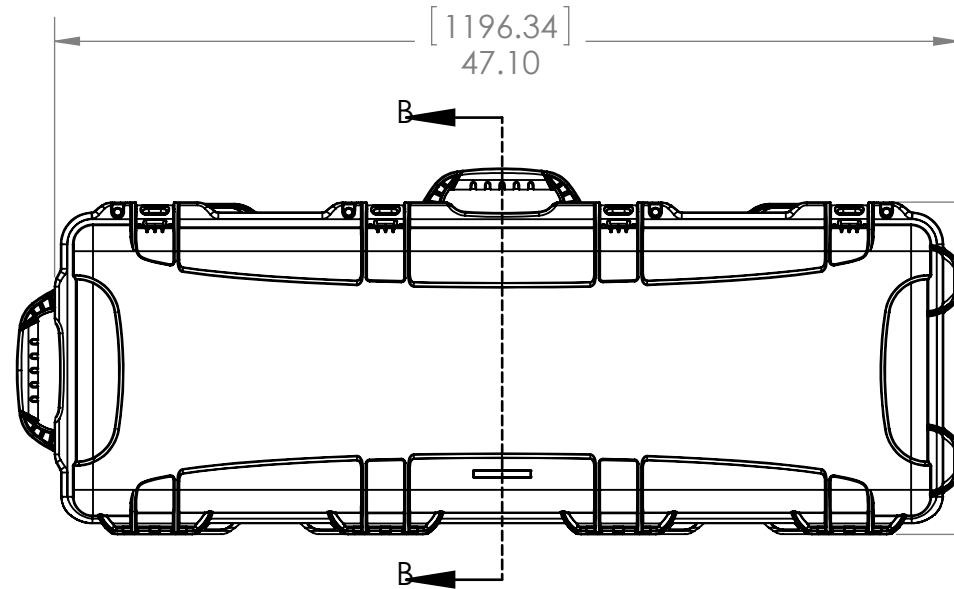
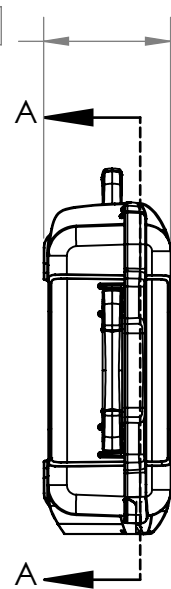
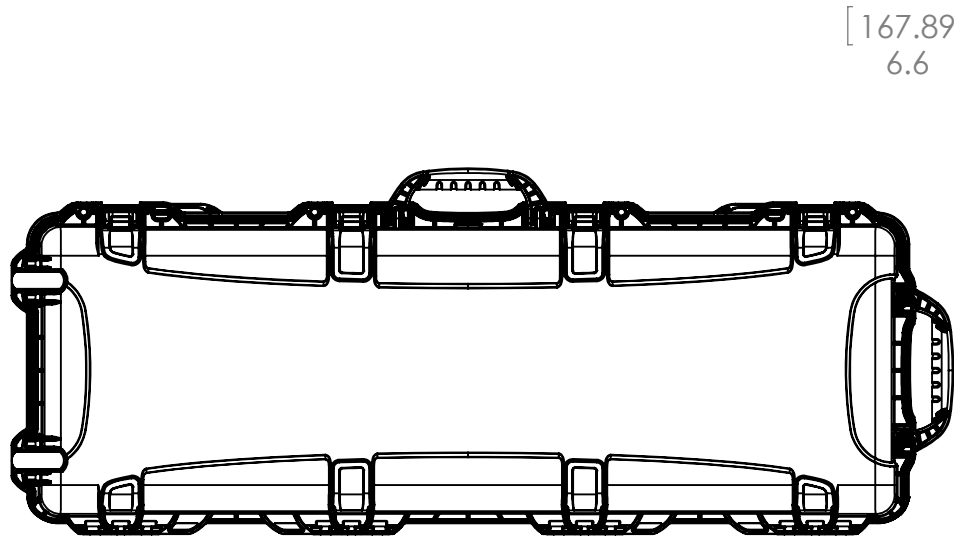
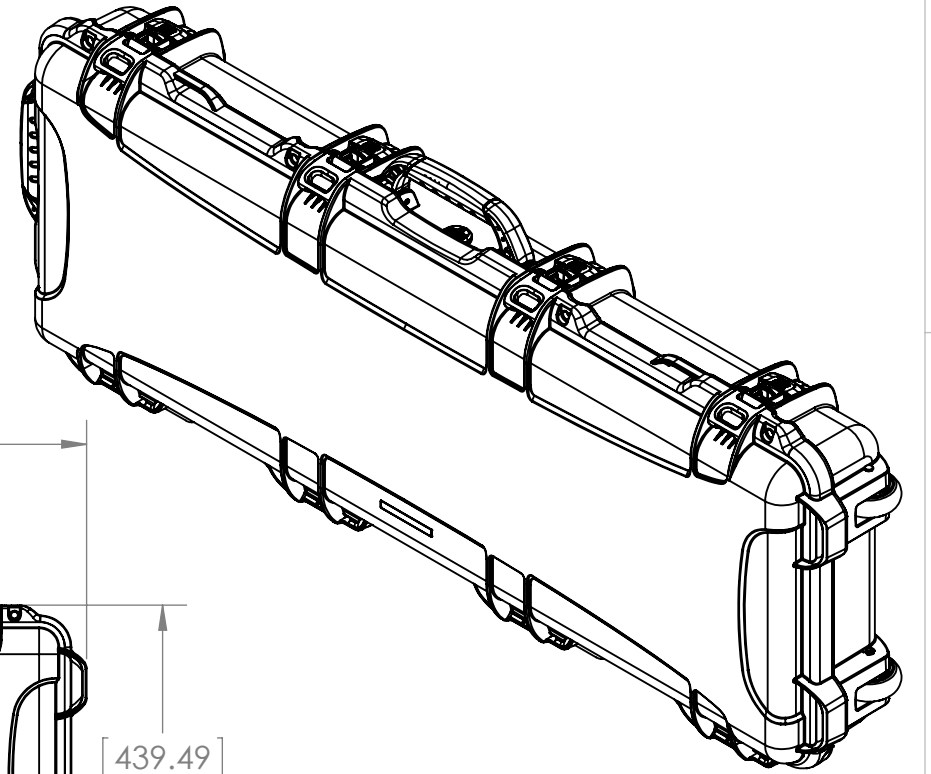
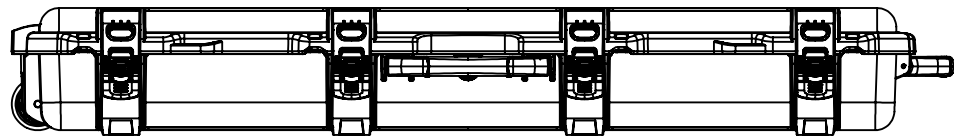


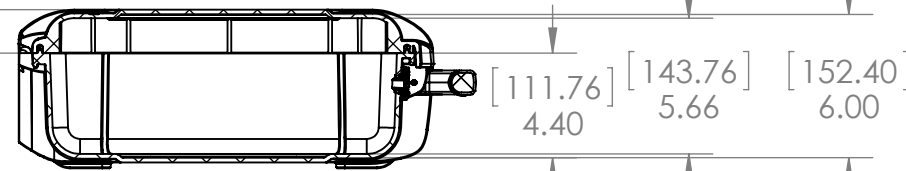
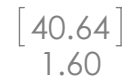
THE INFORMATION CONTAINED IN THIS DRAWING IS THE SOLE PROPERTY OF PLASTICASE ANY REPRODUCTION IN PART OR WHOLE WITHOUT THE WRITTEN PERMISSION OF PLASTICASE IS PROHIBITED.



REVISIONS			
REV.	DESCRIPTION	DATE	APPROVED



COUPE A-A
SCALE 1 : 10



COUPE B-B
SCALE 1 : 8

NANUK 990 Specifications	
Case Weight Empty	17.8lbs / 8.1kg
Interior Length	44" / 1118mm
Interior Width	14.5" / 368mm
Interior Height	6" / 152mm
Interior Lid Depth	1.6" / 41mm
Interior Base Depth	4.4" / 111mm
Exterior Length	47.1" / 1196mm
Exterior Width	17.3" / 440mm
Exterior Height	6.6" / 168mm
Master Pack Qty.	1
Master Pack Wt.	N/A
Max Buoyancy	N/A

PARTS LIST			
UNLESS OTHERWISE SPECIFIED DIMENSIONS ARE IN INCHES	CAD GENERATED DRAWING, DO NOT MANUALLY UPDATE		PLASTICASE
	APPROVALS	DATE	
	DRAWN P.L.O.	26/02/2015	
	CHECKED		
MATERIAL	RESP ENG		NANUK 990
FINISH --	MFG ENG		
DO NOT SCALE DRAWING	QUAL ENG		
SIZE B	DWG. NO.	REV.	
SCALE 1:12	CAD FILE: 990 Assembly	SHEET 1 OF 1	