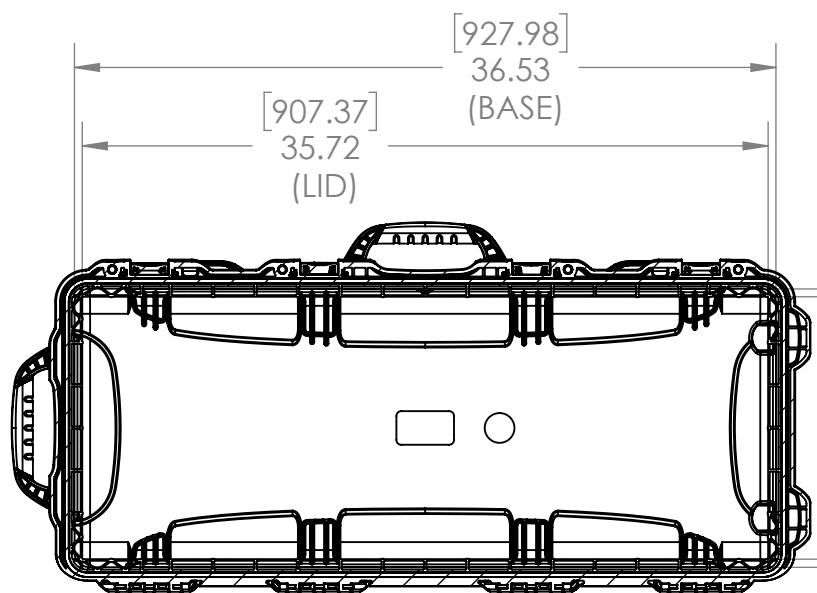
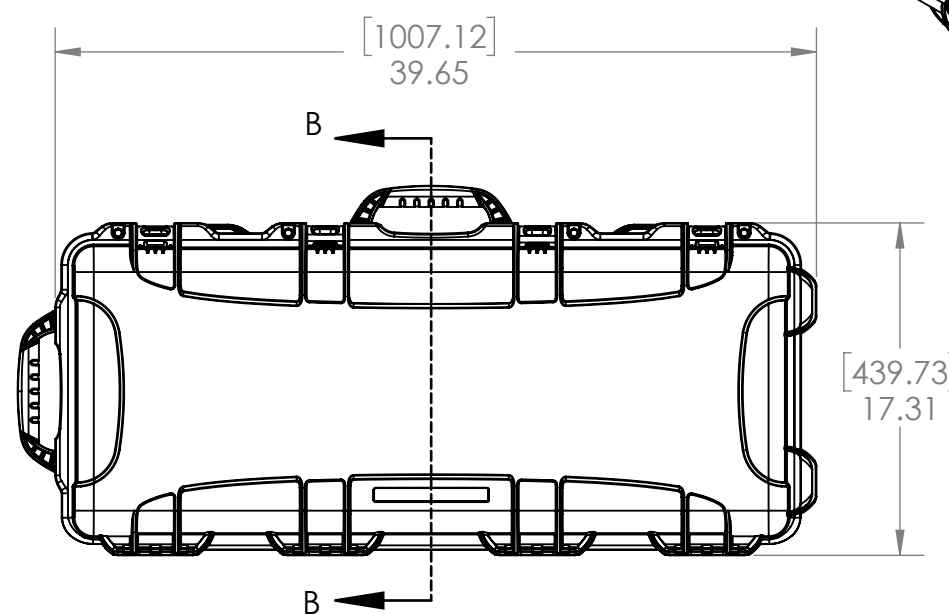
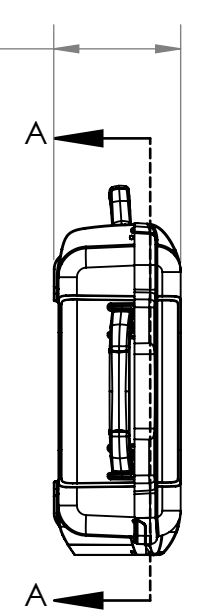
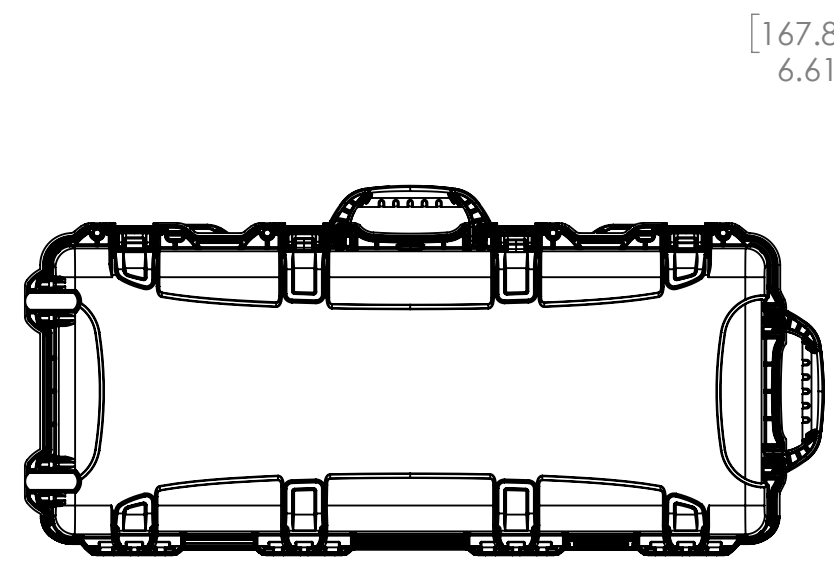
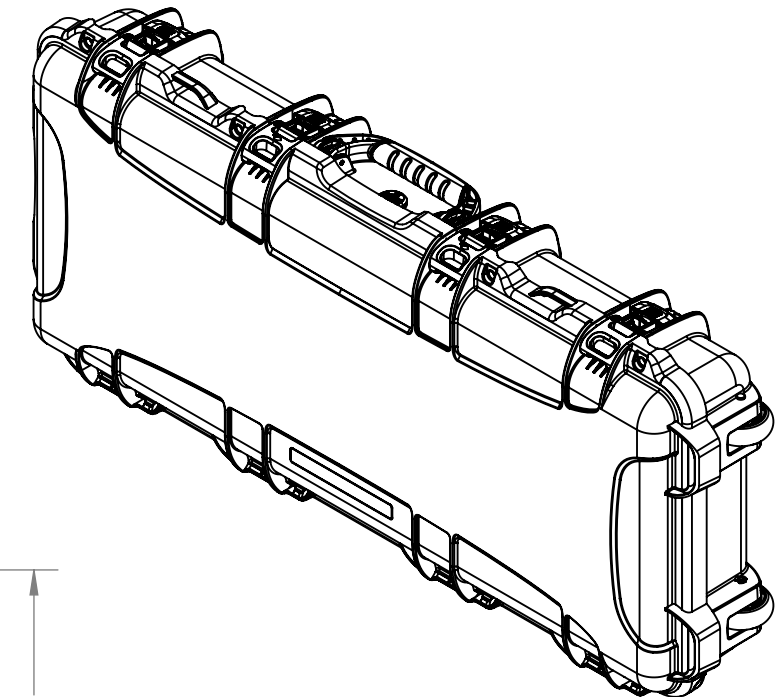
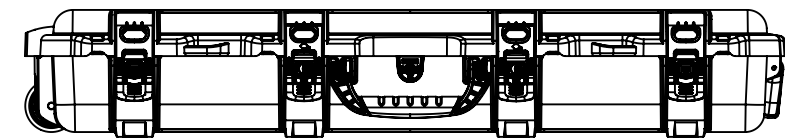


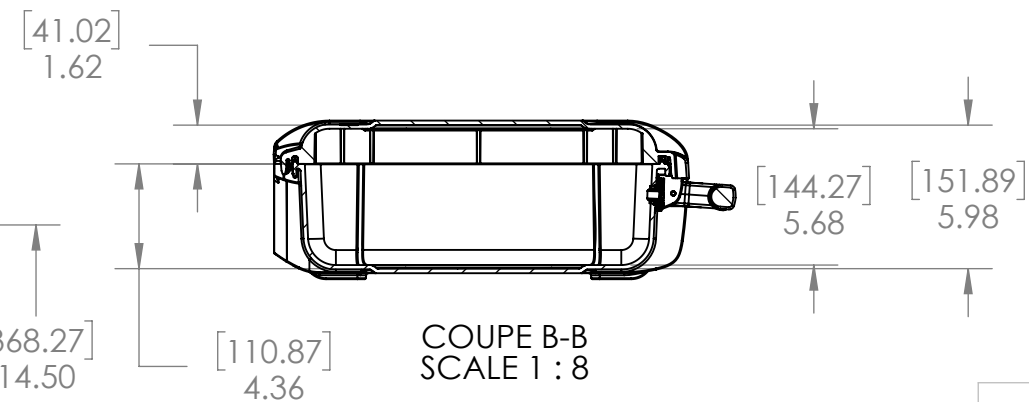
THE INFORMATION CONTAINED IN THIS DRAWING IS THE SOLE PROPERTY OF PLASTICASE ANY REPRODUCTION IN PART OR WHOLE WITHOUT THE WRITTEN PERMISSION OF PLASTICASE IS PROHIBITED.



REVISIONS			
REV.	DESCRIPTION	DATE	APPROVED



COUPE A-A  
SCALE 1 : 10



COUPE B-B  
SCALE 1 : 8

NANUK 985 Specifications	
Case Weight Empty	15.8 lbs / 7.2 kg
Interior Length	36.5" / 928mm
Interior Width	14.5" / 368mm
Interior Height	6" / 152mm
Interior Lid Depth	1.6" / 41mm
Interior Base Depth	4.4" / 111mm
Exterior Length	39.7" / 1007mm
Exterior Width	17.3" / 440mm
Exterior Height	6.6" / 168mm
Master Pack Qty.	1
Master Pack Wt.	N/A
Max Buoyancy	100 lbs / 45 kg

PARTS LIST			
UNLESS OTHERWISE SPECIFIED DIMENSIONS ARE IN INCHES	CAD GENERATED DRAWING, DO NOT MANUALLY UPDATE		PLASTICASE
	APPROVALS	DATE	
	DRAWN MK	4/12/2019	
	CHECKED		
MATERIAL	RESP ENG		NANUK 985
FINISH --	MFG ENG		
DO NOT SCALE DRAWING	QUAL ENG		
SIZE B	DWG. NO.	REV.	
SCALE 1:12	CAD FILE: 985_BOM_ASSEMBLY	SHEET 1 OF 1	