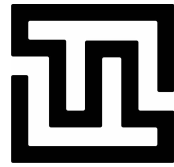
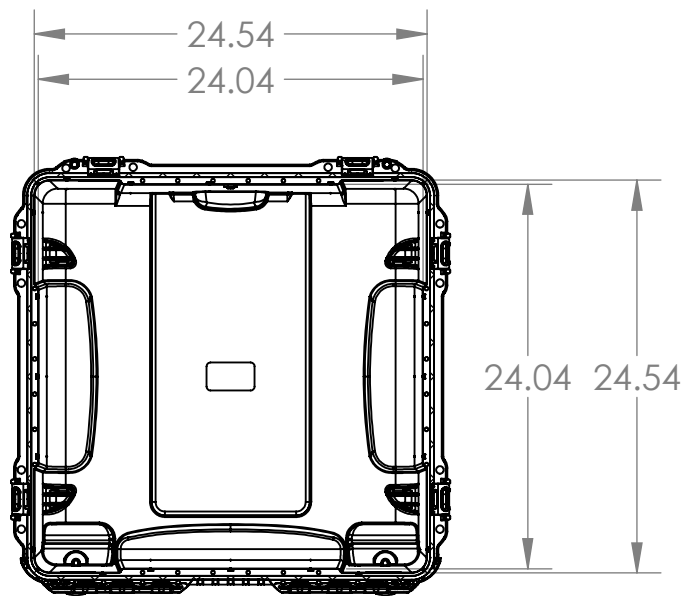
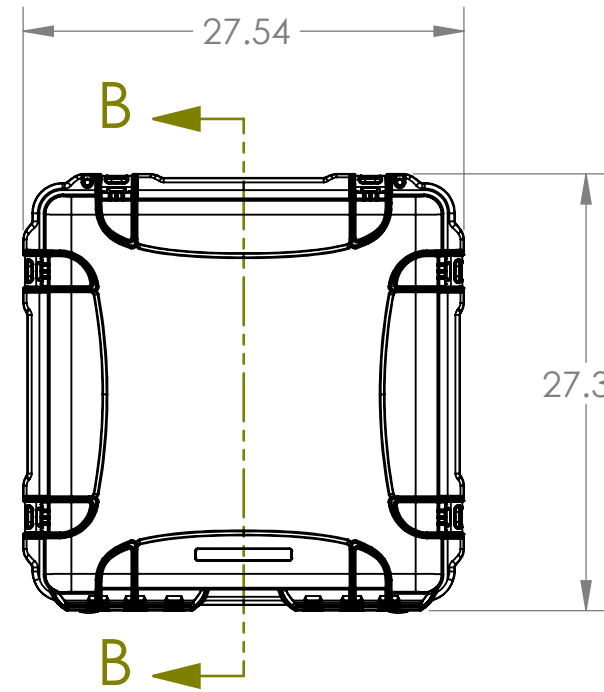
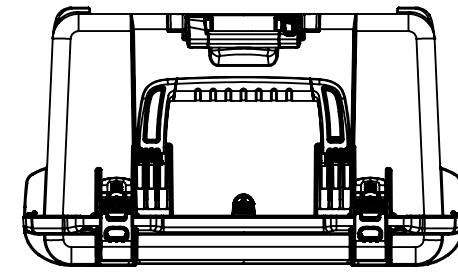
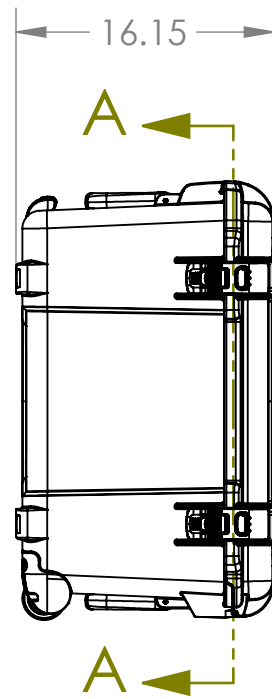
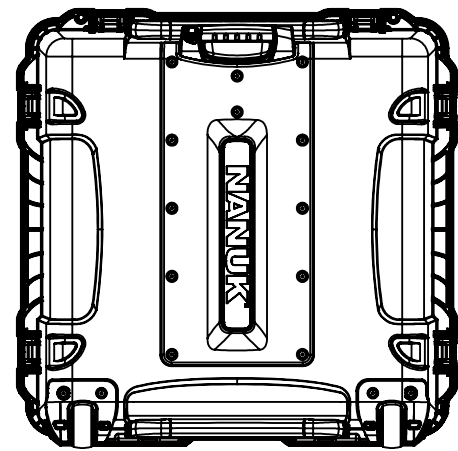


THE INFORMATION CONTAINED IN THIS DRAWING IS THE SOLE PROPERTY OF PLASTICASE ANY REPRODUCTION IN PART OR WHOLE WITHOUT THE WRITTEN PERMISSION OF PLASTICASE IS PROHIBITED.

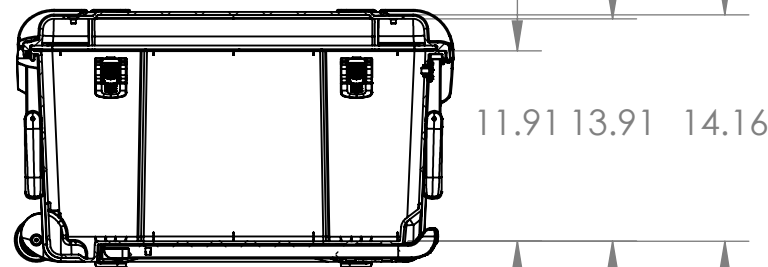


**INSTRUMENTS
TECHNO
TEST**

REVISIONS			
REV.	DESCRIPTION	DATE	APPROVED



SECTION A-A



SECTION B-B

NANUK 970 Specifications

Case Weight Empty	26.3 lbs / 11.92 kg
Interior Length	24" / 610 mm
Interior Width	24" / 610 mm
Interior Height	14.2" / 361mm
Interior Lid Depth	2.3" / 58 mm
Interior Base Depth	11.9" / 302 mm
Exterior Length	27.5" / 699 mm
Exterior Width	27.2" / 691 mm
Exterior Height	16" / 406 mm
Master Pack Qty.	1
Master Pack Wt.	TBD
Max Buoyancy	TBD

PARTS LIST				
UNLESS OTHERWISE SPECIFIED DIMENSIONS ARE IN INCHES	CAD GENERATED DRAWING, DO NOT MANUALLY UPDATE			PLASTICASE
	APPROVALS	DATE		
	DRAWN S.C.	18/02/2020		
	CHECKED			
MATERIAL	RESP ENG			NANUK 970
FINISH --	MFG ENG			
DO NOT SCALE DRAWING	QUAL ENG			
SIZE B		DWG. NO.	REV.	
SCALE 1:12		CAD FILE: 970_Assembly_I1	SHEET 1 OF 1	