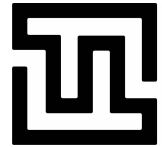
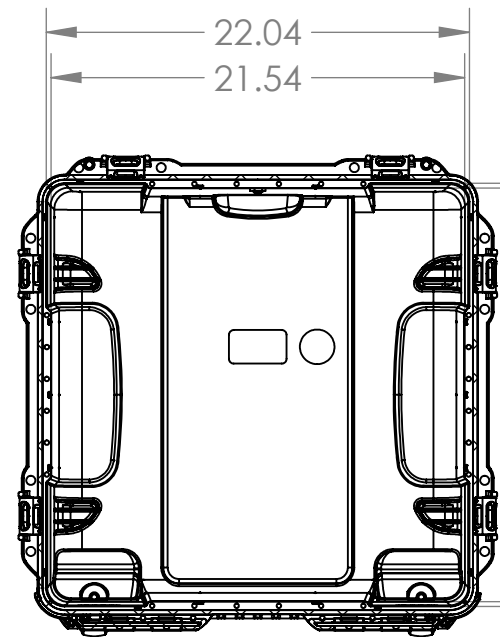
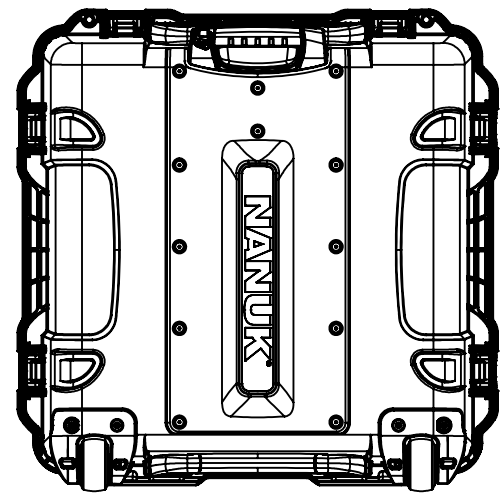


THE INFORMATION CONTAINED IN THIS DRAWING IS THE SOLE PROPERTY OF PLASTICASE ANY REPRODUCTION IN PART OR WHOLE WITHOUT THE WRITTEN PERMISSION OF PLASTICASE IS PROHIBITED.

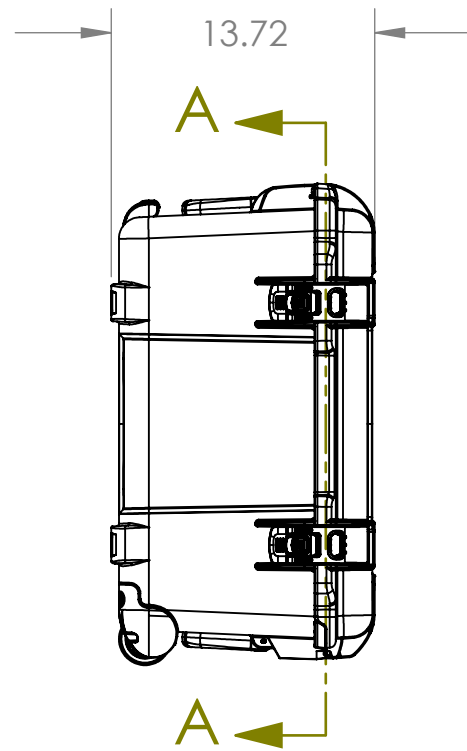


**INSTRUMENTS  
TECHNO  
TEST**

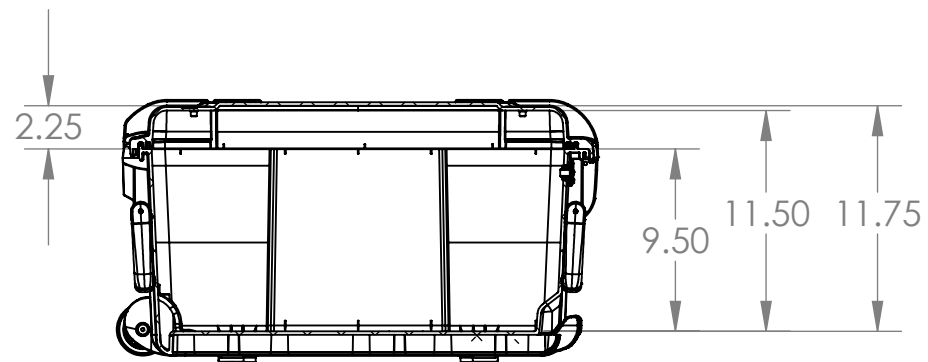
REVISIONS			
REV.	DESCRIPTION	DATE	APPROVED



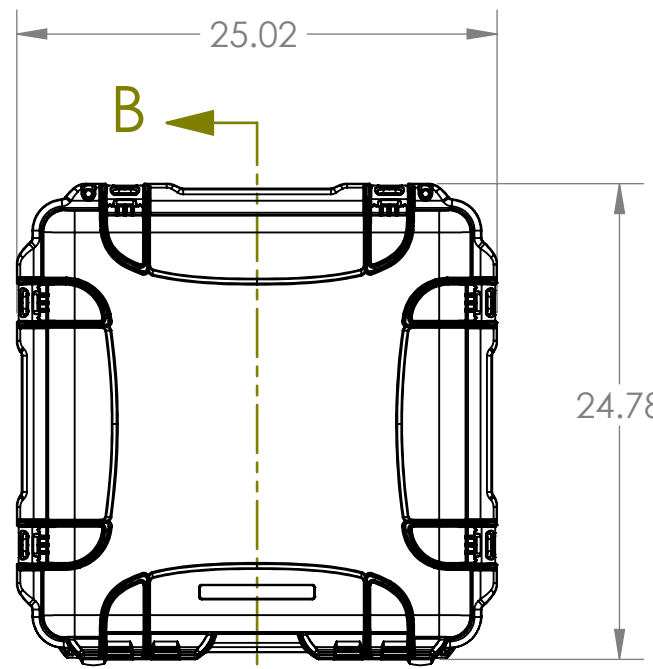
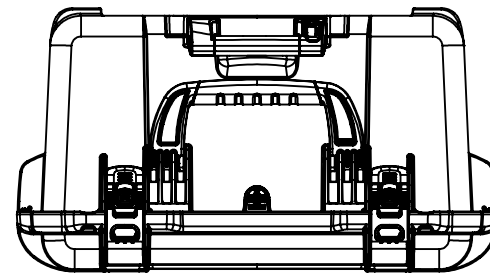
SECTION A-A



A ←



SECTION B-B



B ←



**NANUK 968 Specifications**

Case Weight Empty	21.5 lbs / 9.76 kg
Interior Length	21.5" / 546 mm
Interior Width	21.5" / 546 mm
Interior Height	11.8" / 300mm
Interior Lid Depth	2.3" / 58 mm
Interior Base Depth	9.5" / 241 mm
Exterior Length	25" / 610 mm
Exterior Width	14.7" / 627 mm
Exterior Height	13.6" / 345 mm
Master Pack Qty.	1
Master Pack Wt.	TBD
Max Buoyancy	TBD

PARTS LIST

UNLESS OTHERWISE SPECIFIED DIMENSIONS ARE IN INCHES	CAD GENERATED DRAWING, DO NOT MANUALLY UPDATE		PLASTICASE	
	APPROVALS	DATE		NANUK 968
	DRAWN S.C.	18/02/2020		
	CHECKED			
MATERIAL	RESP ENG			
FINISH --	MFG ENG		SIZE B	
DO NOT SCALE DRAWING	QUAL ENG		DWG. NO.	
			REV.	
			SCALE 1:10	
			CAD FILE: 968_Assembly_T1	
			SHEET 1 OF 1	