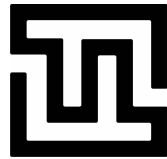
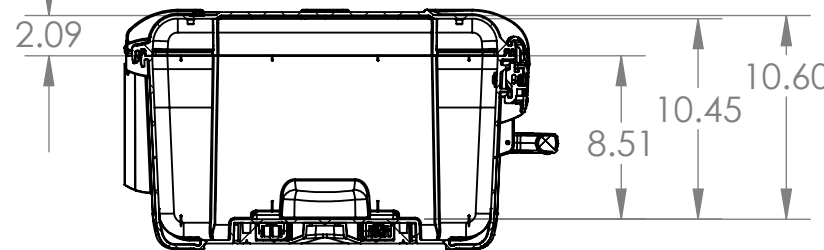
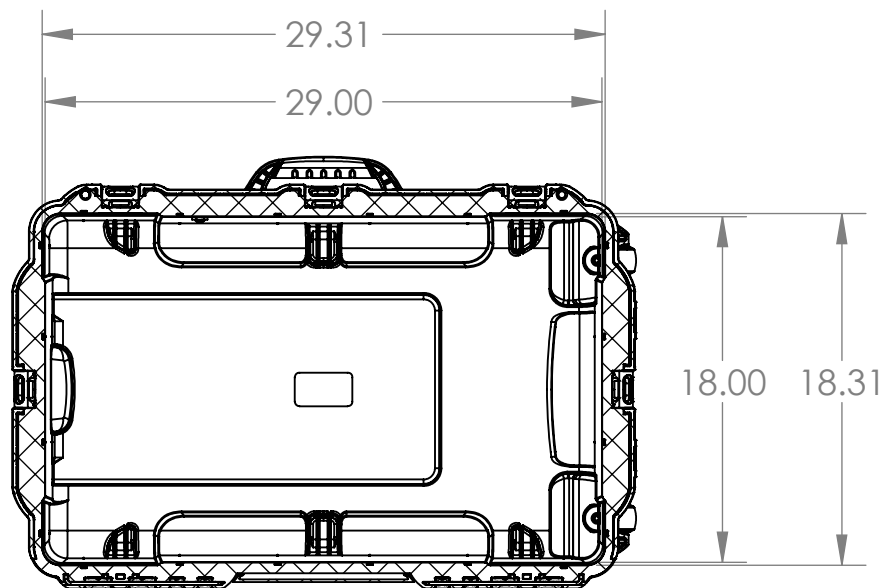
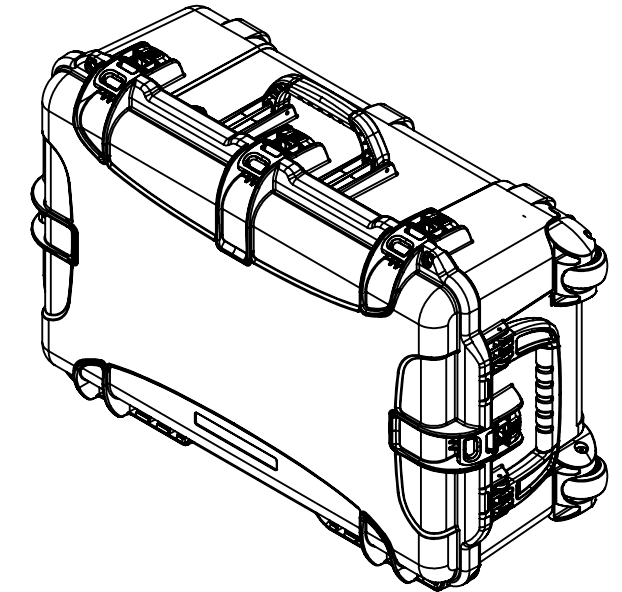
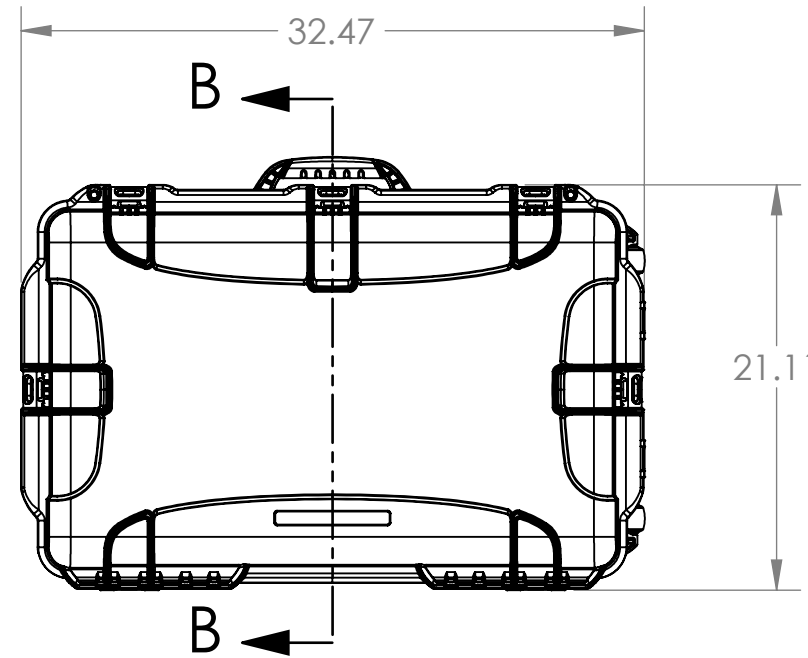
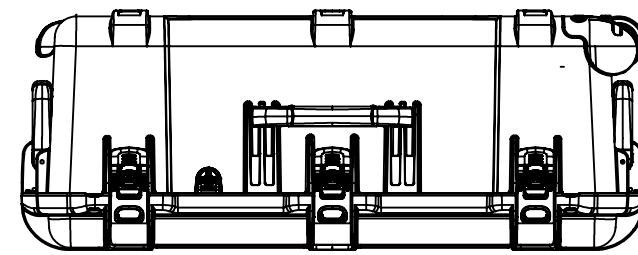
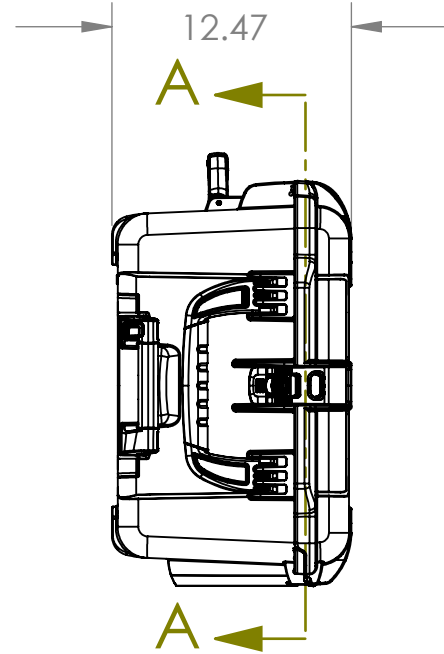
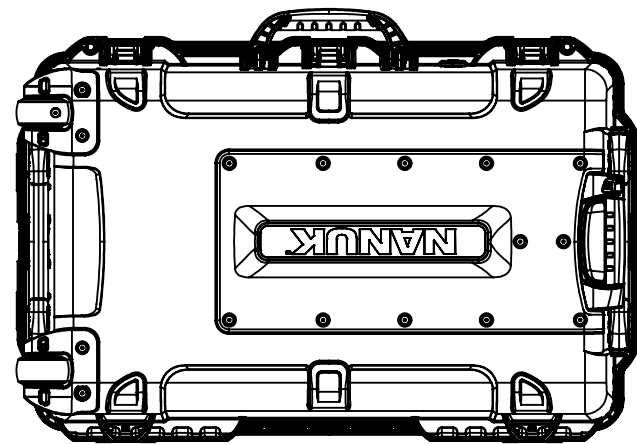


THE INFORMATION CONTAINED IN THIS DRAWING IS THE SOLE PROPERTY OF PLASTICASE ANY REPRODUCTION IN PART OR WHOLE WITHOUT THE WRITTEN PERMISSION OF PLASTICASE IS PROHIBITED.



**INSTRUMENTS
TECHNO
TEST**

REVISIONS			
REV.	DESCRIPTION	DATE	APPROVED



SECTION B-B

SECTION A-A

NANUK 963 Specifications

Case Weight Empty	22.10 lbs / 10.04 kg
Interior Length	29.0" / 737 mm
Interior Width	18.0" / 457 mm
Interior Height	10.6" / 269mm
Interior Lid Depth	2.1" / 48 mm
Interior Base Depth	8.5" / 216 mm
Exterior Length	32.5" / 826 mm
Exterior Width	21.1" / 538 mm
Exterior Height	12.5" / 318 mm
Master Pack Qty.	1
Master Pack Wt.	TBD
Max Buoyancy	TBD

PARTS LIST

UNLESS OTHERWISE SPECIFIED DIMENSIONS ARE IN INCHES	CAD GENERATED DRAWING, DO NOT MANUALLY UPDATE		PLASTICASE
	APPROVALS	DATE	
MATERIAL	DRAWN	S.C.	NANUK 963
	CHECKED		
FINISH	RESP ENG		SIZE B
	MFG ENG		
DO NOT SCALE DRAWING	QUAL ENG		DWG. NO.
SCALE 1:10		CAD FILE: 963_Assembly_p.00_14	REV. SHEET 1 OF 1