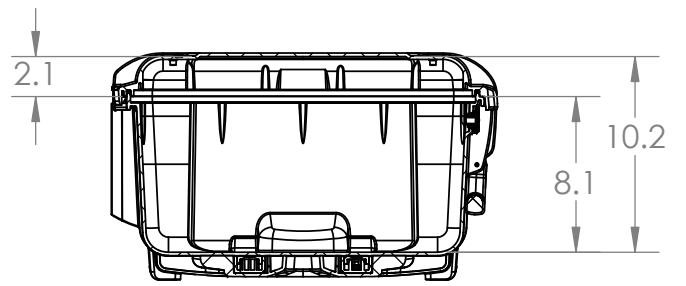
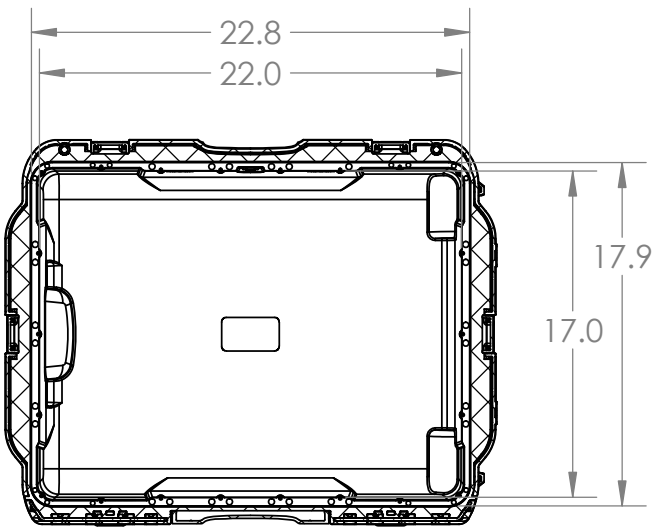
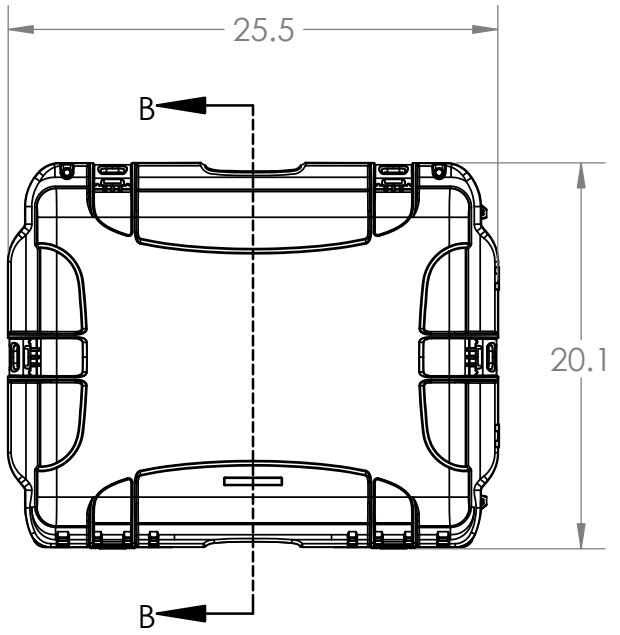
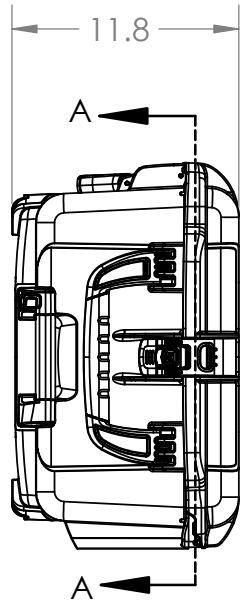
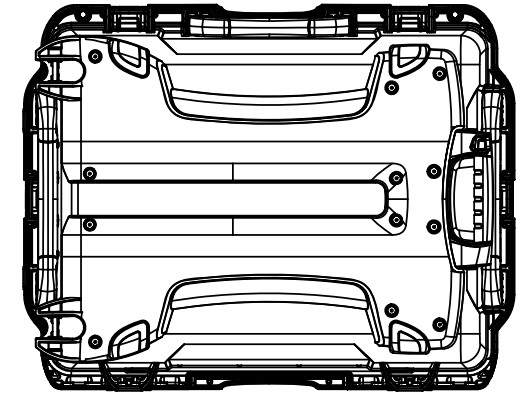
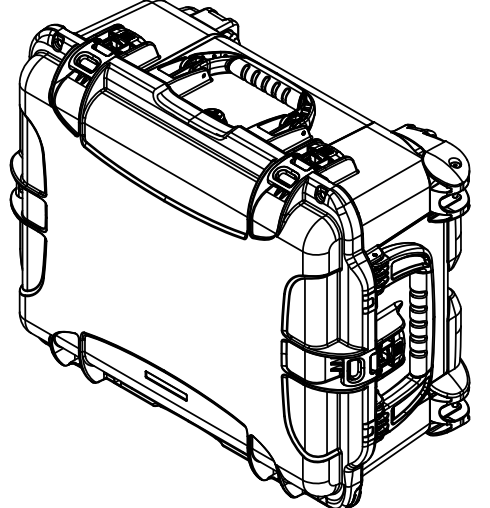
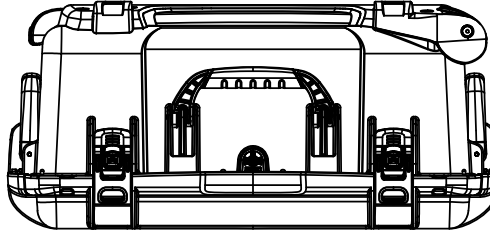


THE INFORMATION CONTAINED IN THIS DRAWING IS THE SOLE PROPERTY OF PLASTICASE ANY REPRODUCTION IN PART OR WHOLE WITHOUT THE WRITTEN PERMISSION OF PLASTICASE IS PROHIBITED.



REVISIONS			
REV.	DESCRIPTION	DATE	APPROVED



NANUK 955 Specifications	
<b>Case Weight Empty</b>	18.05lbs / 8.20kg
<b>Interior Length</b>	22.0" / 559mm
<b>Interior Width</b>	17.0" / 432mm
<b>Interior Height</b>	10.2" / 259mm
<b>Interior Lid Depth</b>	2.1" / 53mm
<b>Interior Base Depth</b>	8.1" / 206mm
<b>Exterior Length</b>	25.5" / 648mm
<b>Exterior Width</b>	20.1" / 511mm
<b>Exterior Height</b>	11.8" / 300mm
<b>Master Pack Qty.</b>	1
<b>Master Pack Wt.</b>	N/A
<b>Max Buoyancy</b>	TBA

PARTS LIST			
UNLESS OTHERWISE SPECIFIED DIMENSIONS ARE IN INCHES	CAD GENERATED DRAWING, DO NOT MANUALLY UPDATE		<b>PLASTICASE</b>  <b>NANUK 955</b>
	APPROVALS	DATE	
	DRAWN P.L.O.	2019-09-03	
	CHECKED		
	RESP ENG		
MATERIAL			
FINISH --	MFG ENG		
DO NOT SCALE DRAWING	QUAL ENG		
SIZE B		DWG. NO.	REV.
SCALE 1:10		CAD FILE: 955_Assembly_p.00	SHEET 1 OF 1