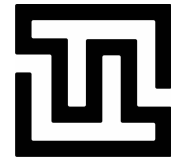
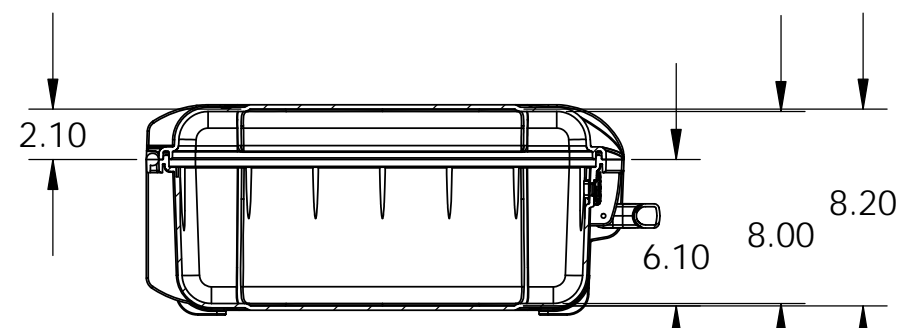
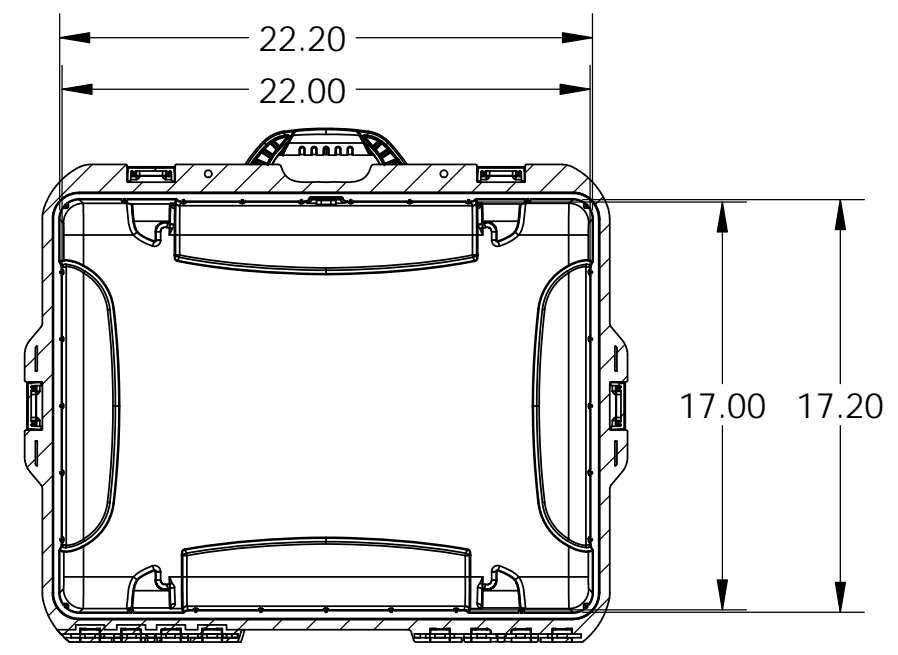
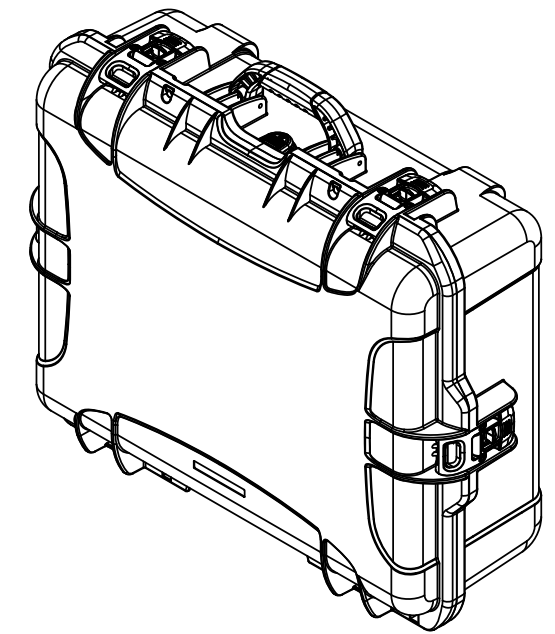
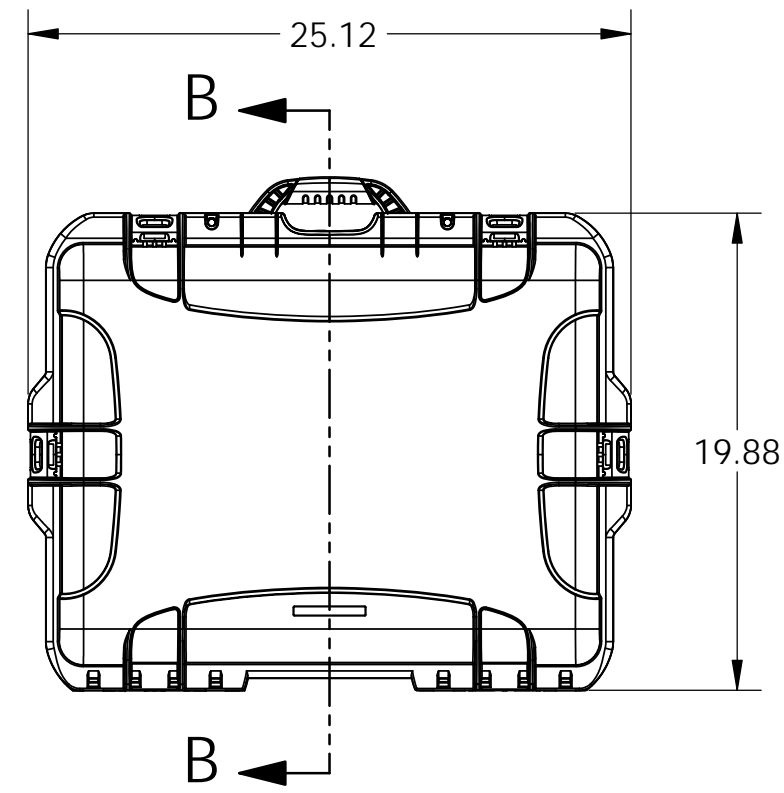
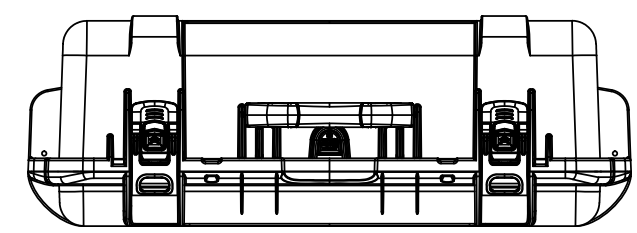
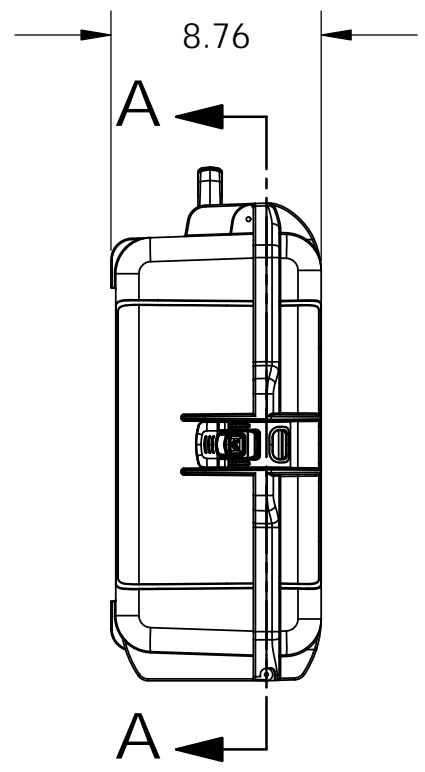
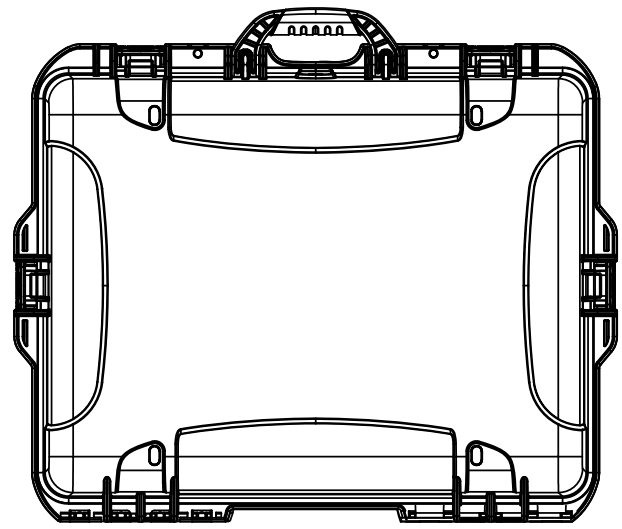


THE INFORMATION CONTAINED IN THIS DRAWING IS THE SOLE PROPERTY OF PLASTICASE ANY REPRODUCTION IN PART OR WHOLE WITHOUT THE WRITTEN PERMISSION OF PLASTICASE IS PROHIBITED.



**INSTRUMENTS
TECHNO
TEST**

REVISIONS			
REV.	DESCRIPTION	DATE	APPROVED



SECTION B-B

SECTION A-A

NANUK 945 Specifications	
Case Weight Empty	10.6lbs / 4.8kg
Interior Length	22.00" / 559mm
Interior Width	17.00" / 432mm
Interior Height	8.20" / 208mm
Interior Lid Depth	2.10" / 34mm
Interior Base Depth	4.10" / 104mm
Exterior Length	25.12" / 638mm
Exterior Width	19.88" / 505mm
Exterior Height	8.76" / 223mm
Master Pack Qty.	2
Master Pack Wt.	28.17lbs / 12.78kg
Max Buoyancy	121lbs / 54.43kg

PARTS LIST			
UNLESS OTHERWISE SPECIFIED DIMENSIONS ARE IN INCHES		CAD GENERATED DRAWING, DO NOT MANUALLY UPDATE	
APPROVALS		DATE	
DRAWN	B.C.	6/30/2011	
CHECKED			
RESP ENG			
MFG ENG			
QUAL ENG			
DO NOT SCALE DRAWING			
		PLASTICASE	
		NANUK 945	
SIZE	DWG. NO.	REV.	
B			
SCALE	CAD FILE	SHEET 1 OF 1	
1:8	945_ASSEMBLY		