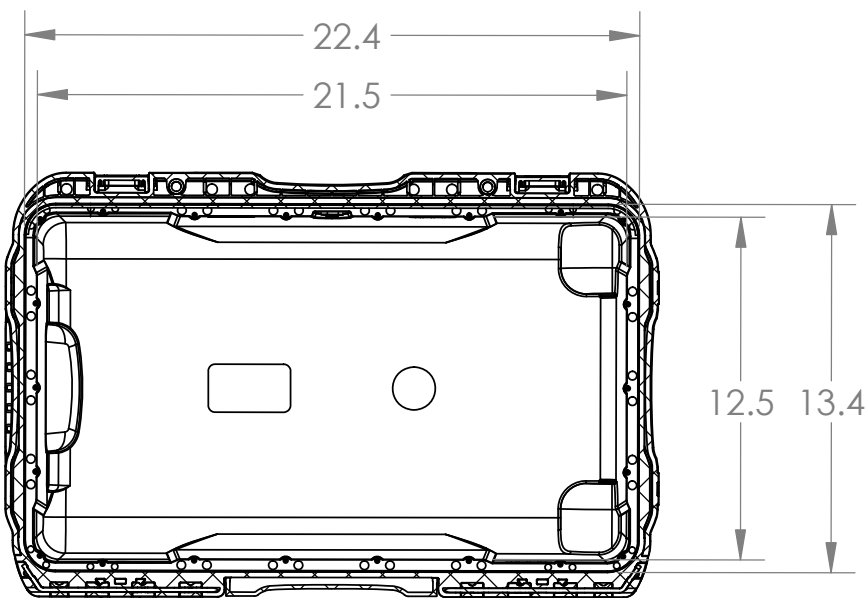
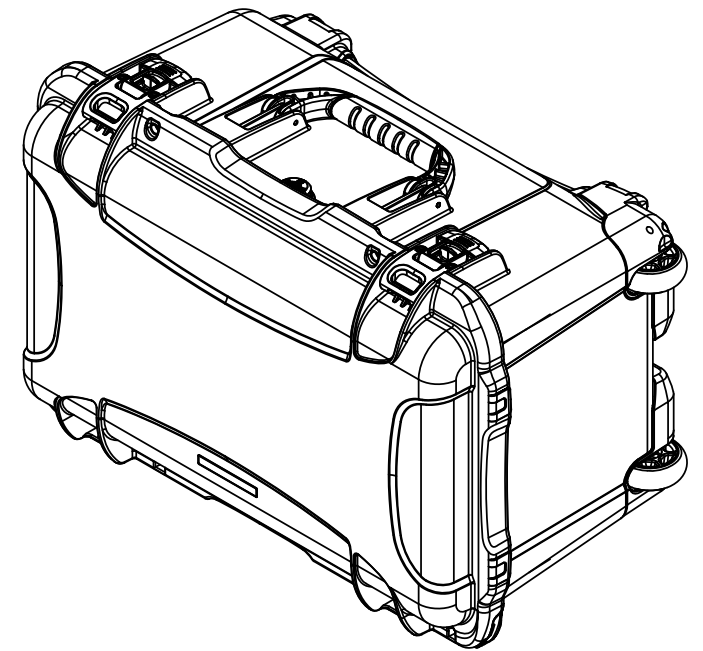
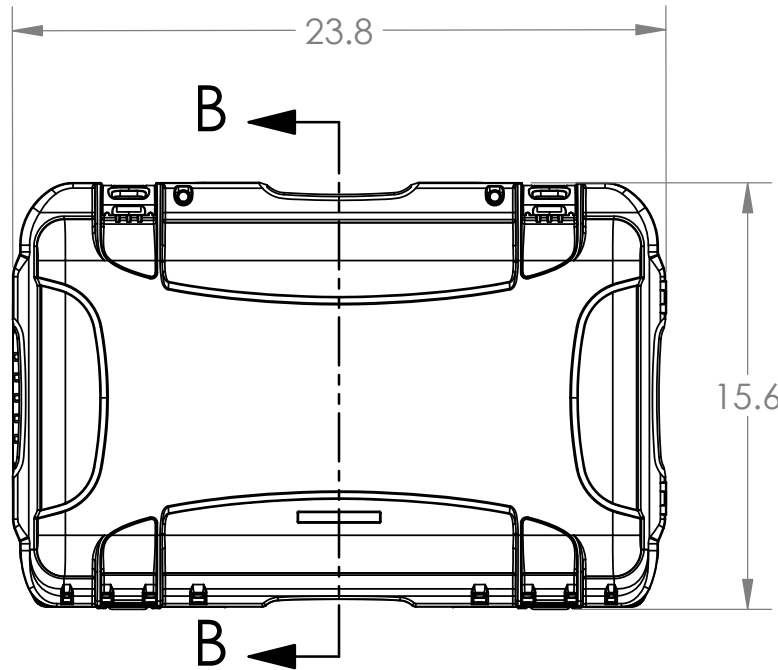
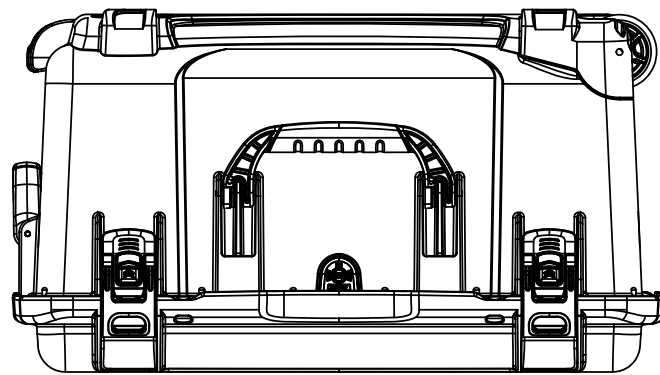
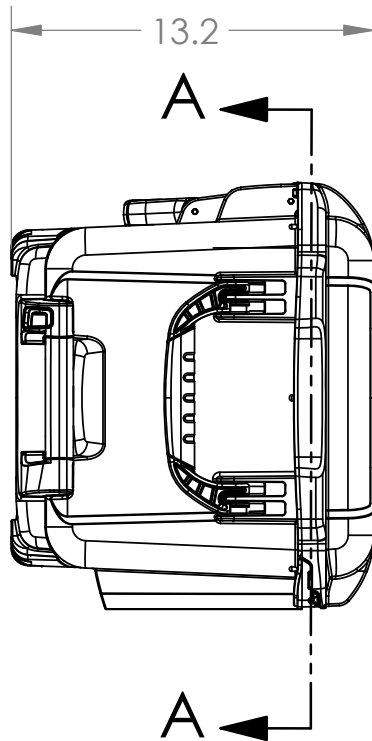
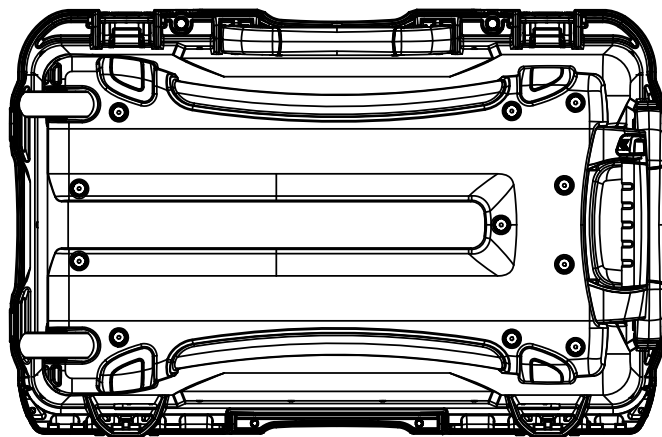


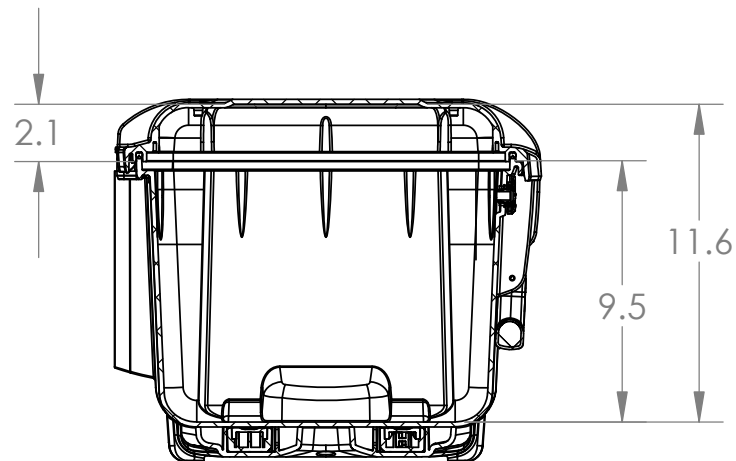
THE INFORMATION CONTAINED IN THIS DRAWING IS THE SOLE PROPERTY OF PLASTICASE ANY REPRODUCTION IN PART OR WHOLE WITHOUT THE WRITTEN PERMISSION OF PLASTICASE IS PROHIBITED.



REVISIONS			
REV.	DESCRIPTION	DATE	APPROVED



SECTION A-A



SECTION B-B

NANUK 938 Specifications	
<b>Case Weight Empty</b>	14.55 lbs / 6.60 kg
<b>Interior Length</b>	21.5" / 546mm
<b>Interior Width</b>	12.5" / 318mm
<b>Interior Height</b>	11.6" / 295mm
<b>Interior Lid Depth</b>	2.1" / 53mm
<b>Interior Base Depth</b>	9.5" / 241mm
<b>Exterior Length</b>	23.8" / 605mm
<b>Exterior Width</b>	15.6" / 396mm
<b>Exterior Height</b>	13.2" / 335mm
<b>Master Pack Qty.</b>	1
<b>Master Pack Wt.</b>	TBD
<b>Max Buoyancy</b>	TBD

PARTS LIST			
UNLESS OTHERWISE SPECIFIED DIMENSIONS ARE IN INCHES	CAD GENERATED DRAWING, DO NOT MANUALLY UPDATE		
	APPROVALS	DATE	
	DRAWN VM	2019-09-03	
	CHECKED		
	RESP ENG		
MATERIAL			
FINISH --	MFG ENG		
DO NOT SCALE DRAWING	QUAL ENG		
PLASTICASE		NANUK 938	
SIZE B	DWG. NO.	REV.	
SCALE 1:7	CAD FILE: 938_Assembly	SHEET 1 OF 1	