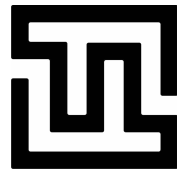
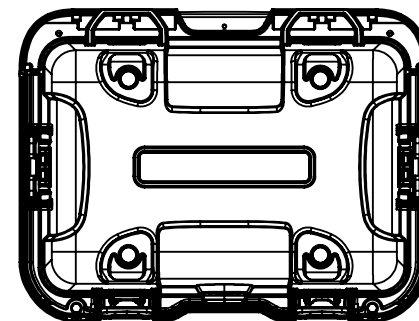
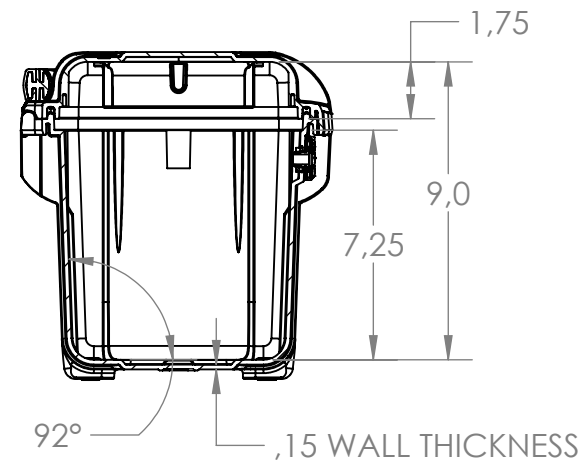
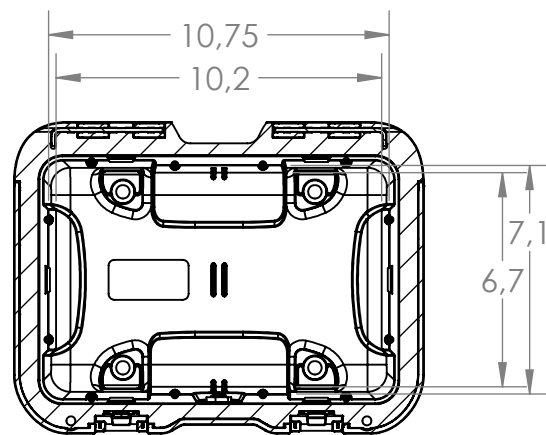
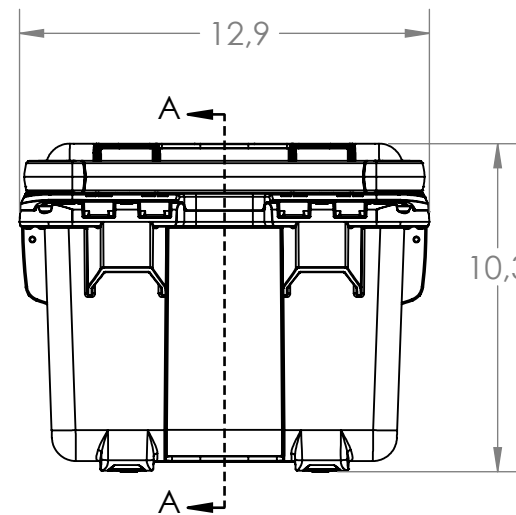
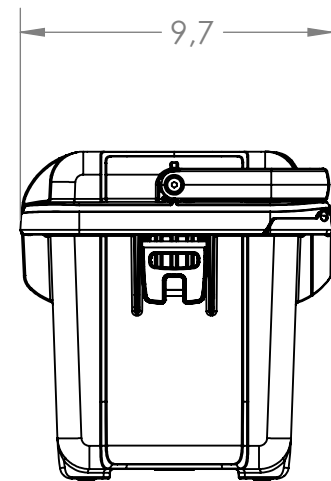
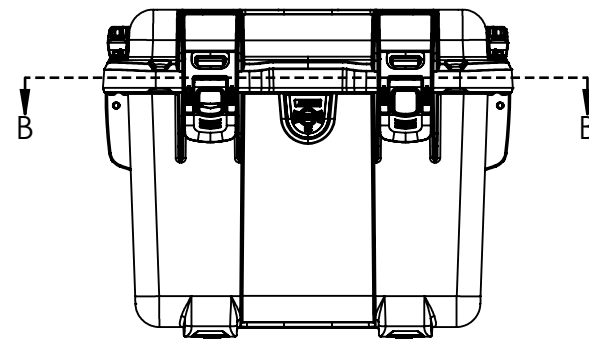
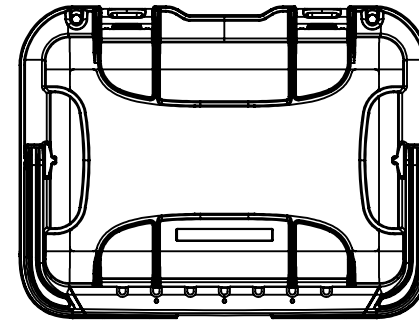


THE INFORMATION CONTAINED IN THIS DRAWING IS THE SOLE PROPERTY OF PLASTICASE ANY REPRODUCTION IN PART OR WHOLE WITHOUT THE WRITTEN PERMISSION OF PLASTICASE IS PROHIBITED.



**INSTRUMENTS  
TECHNO  
TEST**

| REVISIONS |             |      |          |
|-----------|-------------|------|----------|
| REV.      | DESCRIPTION | DATE | APPROVED |
|           |             |      |          |
|           |             |      |          |



SECTION B-B

SECTION A-A

| NANUK T20 Specifications   |                  |
|----------------------------|------------------|
| <b>Case Weight Empty</b>   | 3.75lbs / 1.7kg  |
| <b>Interior Length</b>     | 10.75" / 273 mm  |
| <b>Interior Width</b>      | 7.1" / 180 mm    |
| <b>Interior Height</b>     | 9" / 228mm       |
| <b>Interior Lid Depth</b>  | 1.75" / 44 mm    |
| <b>Interior Base Depth</b> | 7.25" / 184 mm   |
| <b>Exterior Length</b>     | 12.9" / 328 mm   |
| <b>Exterior Width</b>      | 9.7" / 246 mm    |
| <b>Exterior Height</b>     | 10.3" / 262 mm   |
| <b>Master Pack Qty.</b>    | TBD              |
| <b>Master Pack Wt.</b>     | TBD              |
| <b>Max Buoyancy</b>        | 34.8lbs / 15.8kg |

| PARTS LIST   |   |                              |                       |
|--|---|------------------------------|-----------------------|
| UNLESS OTHERWISE SPECIFIED DIMENSIONS ARE IN INCHES [mm] | CAD GENERATED DRAWING, DO NOT MANUALLY UPDATE |                              | NANUK GEAR PROTECTION |
|  | APPROVALS                                     | DATE                         |                       |
|  | DRAWN D.B.                                    | 2024-08-06                   |                       |
|  | CHECKED                                       |                              |                       |
|  | RESP ENG                                      |                              |                       |
| MATERIAL   | MFG ENG                                       |                              | NANUK T20             |
| FINISH --  | QUAL ENG                                      |                              |                       |
| DO NOT SCALE DRAWING                                     | SCALE 1:6                                     | CAD FILE: T20_Main Assy_p.00 | REV. SHEET 1 OF 1     |