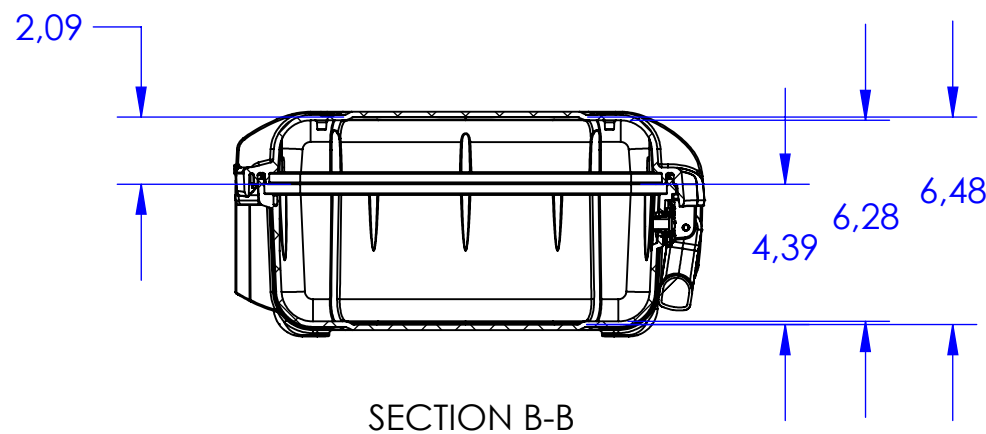
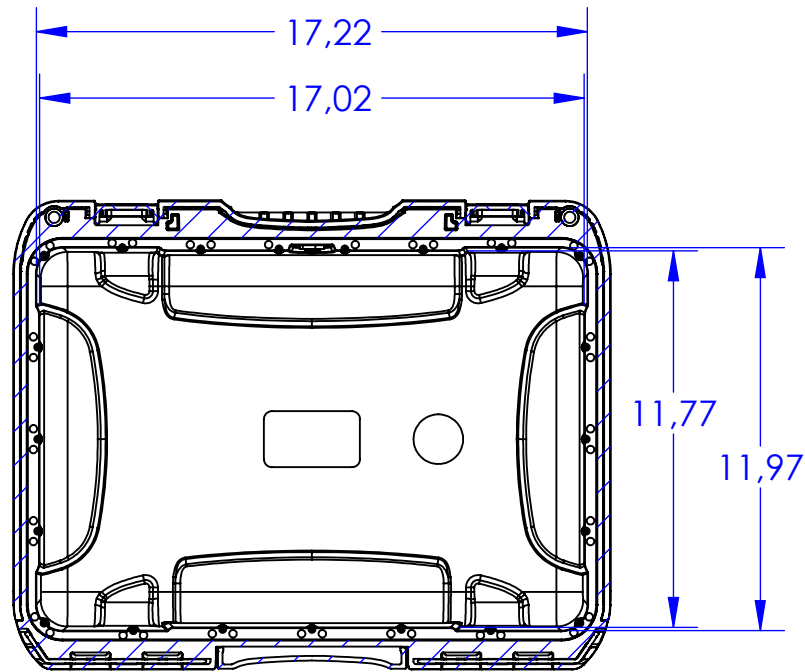
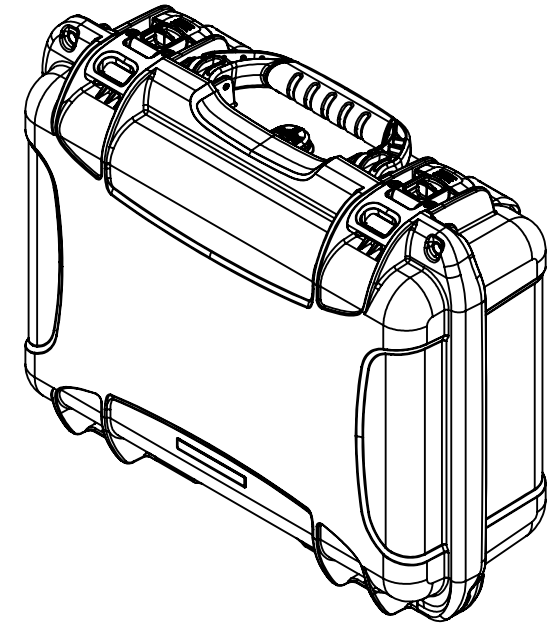
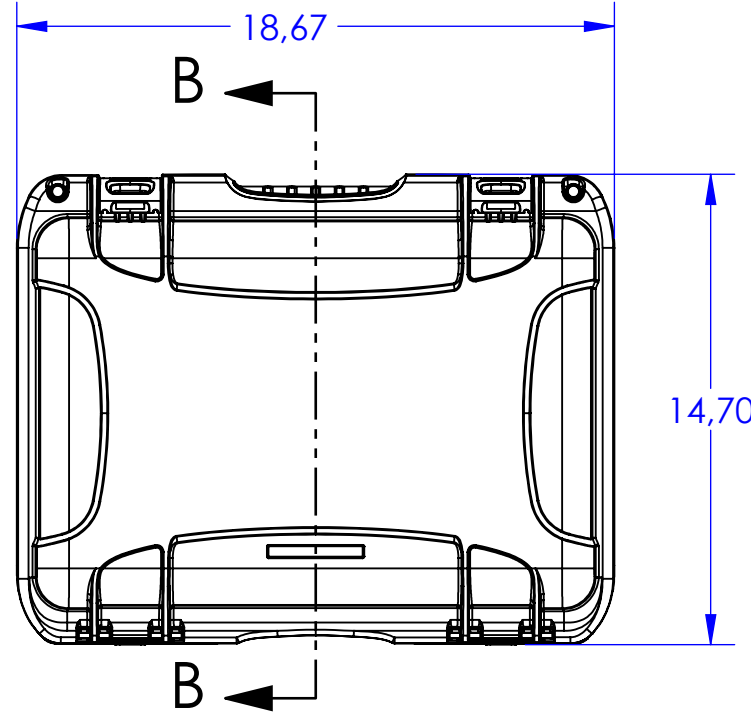
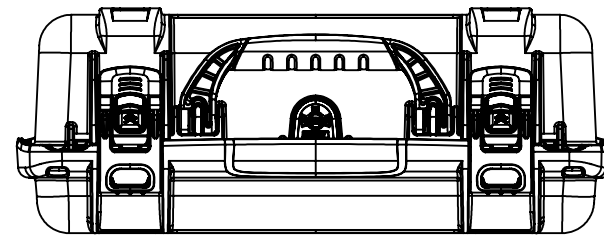
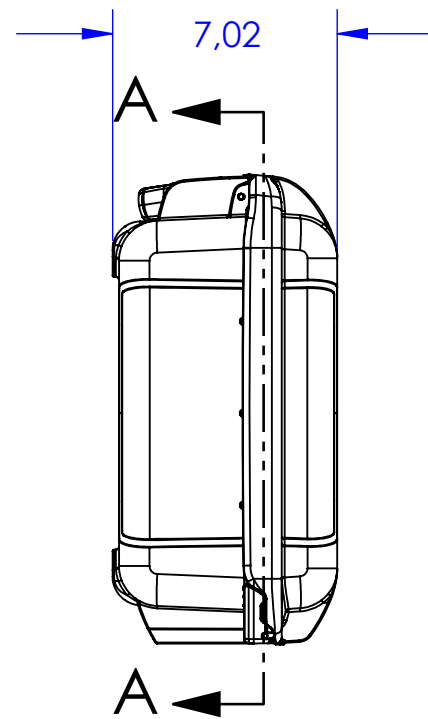
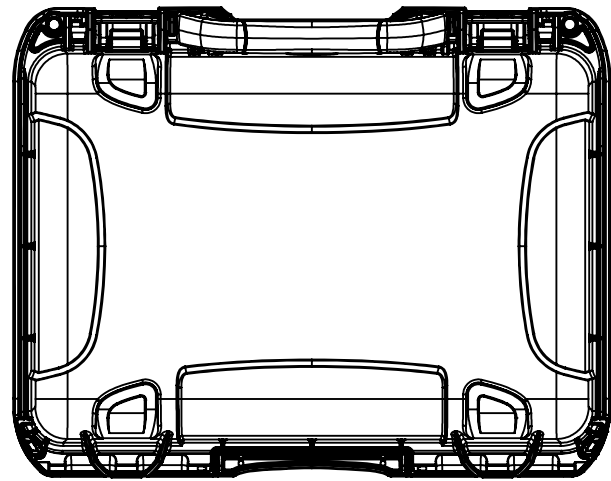


THE INFORMATION CONTAINED IN THIS DRAWING IS THE SOLE PROPERTY OF PLASTICASE ANY REPRODUCTION IN PART OR WHOLE WITHOUT THE WRITTEN PERMISSION OF PLASTICASE IS PROHIBITED.



| REVISIONS | | | |
|-----------|-------------|------|----------|
| REV. | DESCRIPTION | DATE | APPROVED |
| | | | |
| | | | |



| NANUK 925 R1 Specifications | |
|-----------------------------|----------------|
| Case Weight Empty | 5.9lbs / 2.7kg |
| Interior Length | 17.02" / 432mm |
| Interior Width | 11.77" / 299mm |
| Interior Height | 6.48" / 165mm |
| Interior Lid Depth | 2.09" / 53mm |
| Interior Base Depth | 4.39" / 112mm |
| Exterior Length | 18.67" / 474mm |
| Exterior Width | 14.70" / 373mm |
| Exterior Height | 7.02" / 178mm |
| Max Buoyancy | 53lbs / 24kg |

SECTION A-A

SECTION B-B

| PARTS LIST | | | |
|---|---|---------------------------|--------------|
| UNLESS OTHERWISE SPECIFIED DIMENSIONS ARE IN INCHES | CAD GENERATED DRAWING, DO NOT MANUALLY UPDATE | NANUK GEAR PROTECTION INC | |
| MATERIAL | APPROVALS | DATE | NANUK 925_R1 |
| FINISH | DRAWN | 2020-03-04 | |
| DO NOT SCALE DRAWING | CHECKED | | |
| | RESP ENG | | |
| | MFG ENG | | |
| | QUAL ENG | | |
| SIZE B | DWG. NO. | 925-0000-R1 | REV. |
| SCALE 1:6 | CAD FILE: 925_R1_Assembly_p.00 | SHEET 1 OF 1 | |