

Move into the future with reliable measurements



Real-time measurement from a remote location

Certified in radio law in the USA and Japan

Simple set-up (WPS available)

5 GHz band available (indoor use only)

CTRS-WLAN011A

Wireless LAN Unit for CTRS-100 Series launched

NEW CTRS-WLAN011A

CTRS-WLAN010A

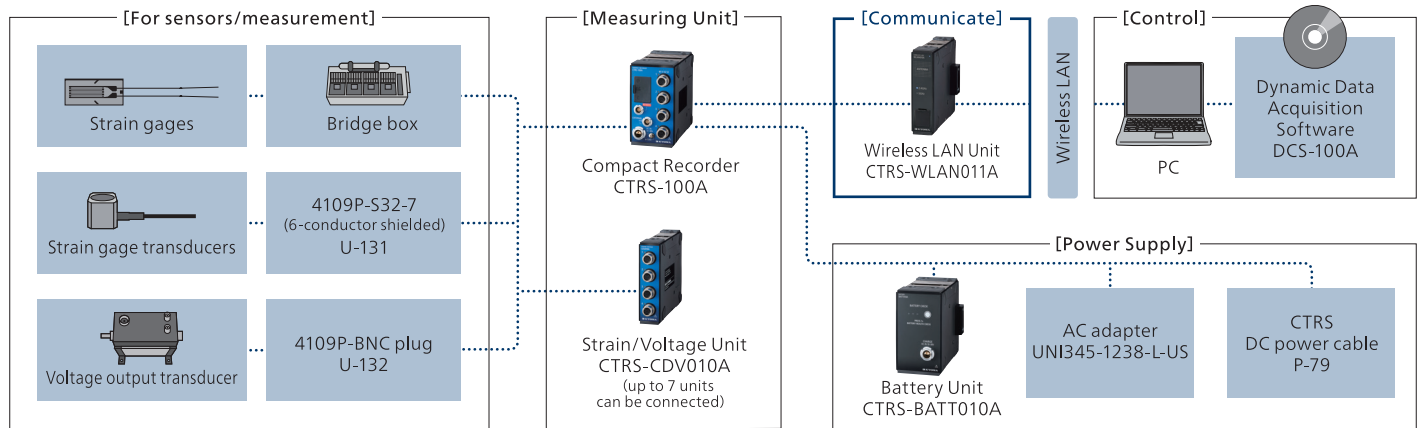
COMPACT & TOUGH



CTRS-WLAN010A

Model	CTRS-WLAN010A	CTRS-WLAN011A
Country	Japan	United States

[Configuration (1 to 32 channels)]



* For executing the measurement condition setting and online recording, the Dynamic Data Acquisition Software version should be 04.73 and later. If you already have DCS-100A, just update your DCS-100A for using it.

* For each compact recorder, up to 7 strain/voltage units can be connected, as can one wireless lan unit and one battery unit.

* For details of the Data Analysis Software, contact us.

[Specifications]

Model	CTRS-WLAN010A	CTRS-WLAN011A	
Supported Functions	Collection of collected data, setting of measurement conditions, real-time monitoring*1		
Operating Switch	"WIRELESS": Enables or disables the wireless LAN unit operation. "SETUP": Use the "Easy connection function" *2. "RESET": Reset SSID and security key to factory default.		
Indicator	Status LED, wireless LAN status LED (2.4 GHz and 5 GHz)		
Radio Section	Compliance Standards	IEEE 802.11 a/b/g/n/ac	
	Frequency	2.4 GHz and 5 GHz	
	Channel	2.4 GHz : 1 to 13 channels 5 GHz : 36, 40, 44, 48 channels (W52)*3	2.4 GHz : 1 to 11 channels 5 GHz : 36, 40, 44, 48 channels (W52) *3 149, 153, 157, 161, 165 channels (W58)*3
	Security	WPA2-PSK(AES), WPA-PSK(AUTO/TKIP)*4, None	
	Network Type	Access point mode	
	Number of Simultaneous Connections to a PC	1	
	Antenna	Built-in antenna	
	Country*5	Japan	United States
Other Functions	Easy connection function, DHCP server function*6		
Power Supply	Supplied by the CTRS-100A or CTRS-BATT010A		
Power Consumption	Approx. 2.0 W (when supplying 12 VDC)		
Operating Temperature	-10 to 50°C		
Operating Humidity	20 to 90% (Non-condensing)		
Storage Temperature	-20 to 60°C		
Vibration Resistance	49.0 m/s ² (5 G), 5 to 200 Hz		
Shock Resistance	490 m/s ² (50 G), 11 ms or less, half sine wave		
Dimensions	26.6 W × 92 H × 94 D mm (Excluding protrusions or protectors)		
Weight	Approx. 200 g		
Utility Nuts	Size: M4, 6 places		

*1 : Depending on the radio wave environment of the installation location, the monitor may stop due to a decrease in the transfer rate of wireless LAN communication.

*2 : Communicate with WPS (Wi-Fi Protected Setup) compatible devices and use wireless LAN Easy to configure complex security settings.(equivalent to WPS 2.0)

*3 : 5 GHz band is for indoor use only. (Do not use outdoors)

*4 : When WPA-PSK (AUTO/TKIP) is selected, the "Easy connection function" cannot be used.

*5 : Not available in other countries.

*6 : The IP address of the wireless connection device (PC) can be set automatically.

[Standard Accessories]

- Stack-connector cap (male)
- Stack-connector cap (female)

KYOWA ELECTRONIC INSTRUMENTS CO., LTD.

Overseas Sales Department:

3-5-1, Chofugaoka, Chofu, Tokyo 182-8520 Japan

TEL: +81-42-489-7220 FAX: +81-42-488-1122

E-mail: kyowaoverseas.hp@d1.kyowa-ei.co.jp

Website: www.kyowa-ei.com

Safety Precautions

- Be sure to observe the safety precautions given in the instruction manual, in order to ensure correct and safe operation.
- Do not use in locations subject to significant water, dampness, steam, dust, or flammable gases. Doing so may lead to fire, electrical shock, or malfunction.

- Specifications and designs are subject to change without notice.
- Please contact us if using the detailed products for special applications.
- Detailed company and product names are the trademarks or registered trademarks of their respective owners.
- The warranty details can be found on the "Product Warranty" attached to the product and on the following website.
www.kyowa-ei.com/eng/company/quality/warranty.html
- Unauthorized use or reproduction of contents of this catalog are prohibited.

